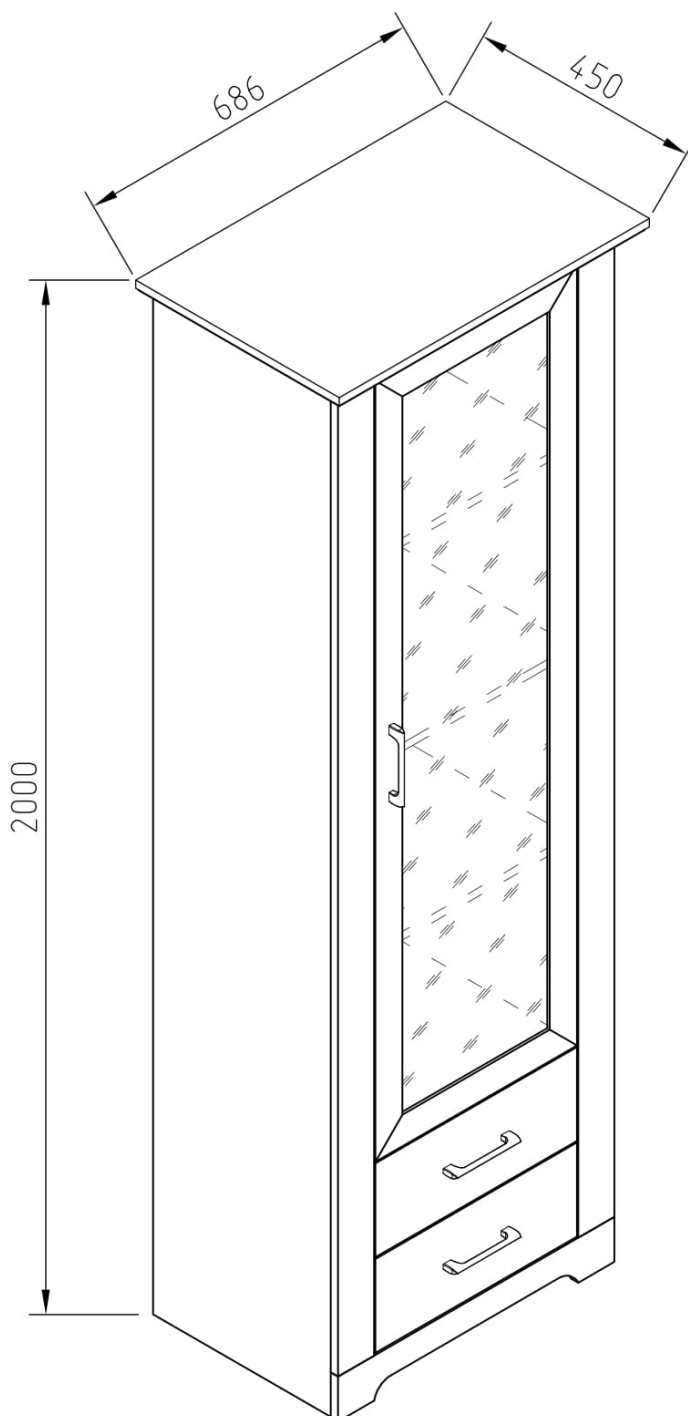


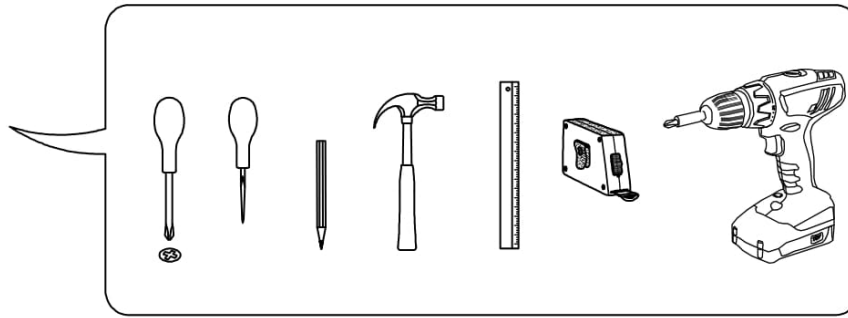
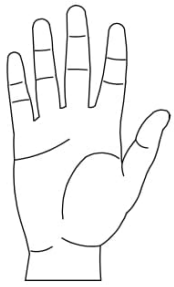




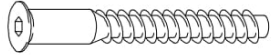
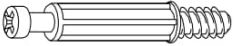


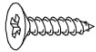



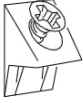

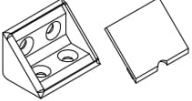
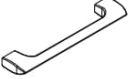

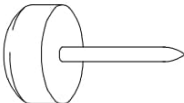
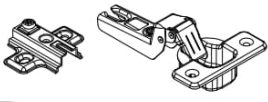



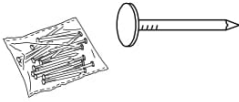
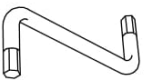
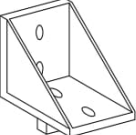
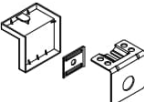
# **VALERIO**


---

## **VITRINE 1D 2Dr**

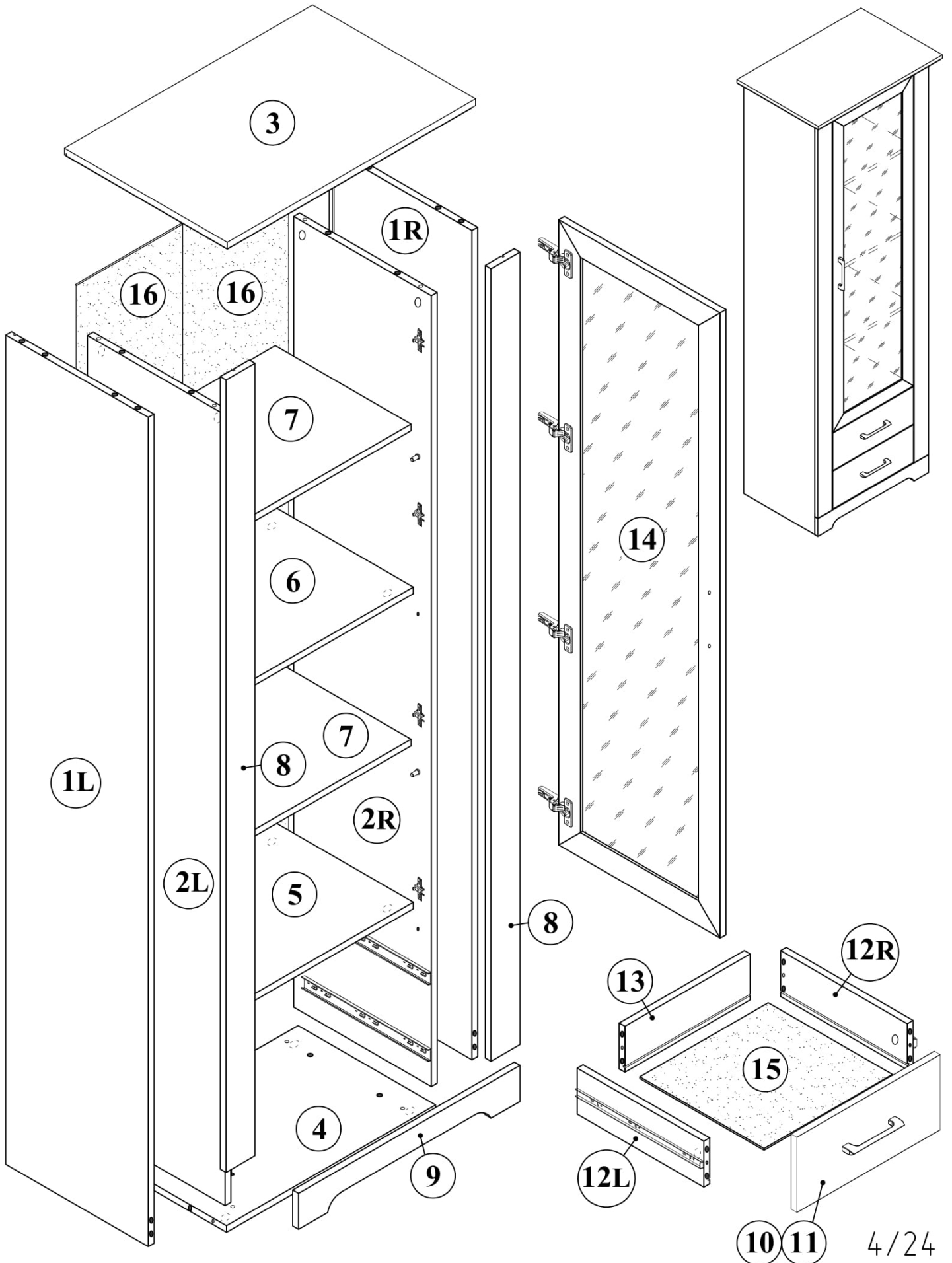





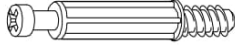

 <b>A1</b> 8*30mm x48	 <b>B</b> x8	 <b>B1</b> 6,3*50mm x8
 <b>C1</b> 5*30mm x20	 <b>D</b> x20	 <b>D1</b> 16mm x20
 <b>E5</b> 3,5*16 x76	 <b>Ea4</b> 4,2*65mm x1	 <b>F3</b> 6,3*13mm x8
 <b>G6</b> M 4*22 x6	 <b>H2</b> x15	 <b>H5</b> 8*50mm x1
 <b>H12</b> 20x20x33 x2	 <b>I43</b> P-38 (128) x3	 <b>J1</b> 5*16mm x8
 <b>K4</b> x4	 <b>L3</b> x4	 <b>M2</b> L-350mm x2
 <b>U3</b> x1	 <b>R1</b> x1	 <b>R3</b> 1.4*25mm 0.010kg
 <b>R4</b> N°4 x1	 <b>S13</b> x10	 <b>S14</b> K-06 x1

No	a*b	x	N°→...
1L	1984x394	x1	1/3
1R	1984x394	x1	1/3
2L	1892x380	x1	1/3
2R	1892x380	x1	1/3
3	686x450	x1	2/3
4	578x380	x1	2/3
5	454x380	x1	2/3
6	454x380	x1	2/3
7	453x375	x2	2/3
8	1896x80	x2	1/3
9	612x86	x1	2/3
10	446x180	x1	2/3
11	446x180	x1	2/3
12L	350x110	x2	2/3
12R	350x110	x2	2/3
13	396x110	x2	2/3
14	1496x446	x1	3/3
15	405x343	x2	2/3
16	1912x293	x2	1/3
		x1	2/3

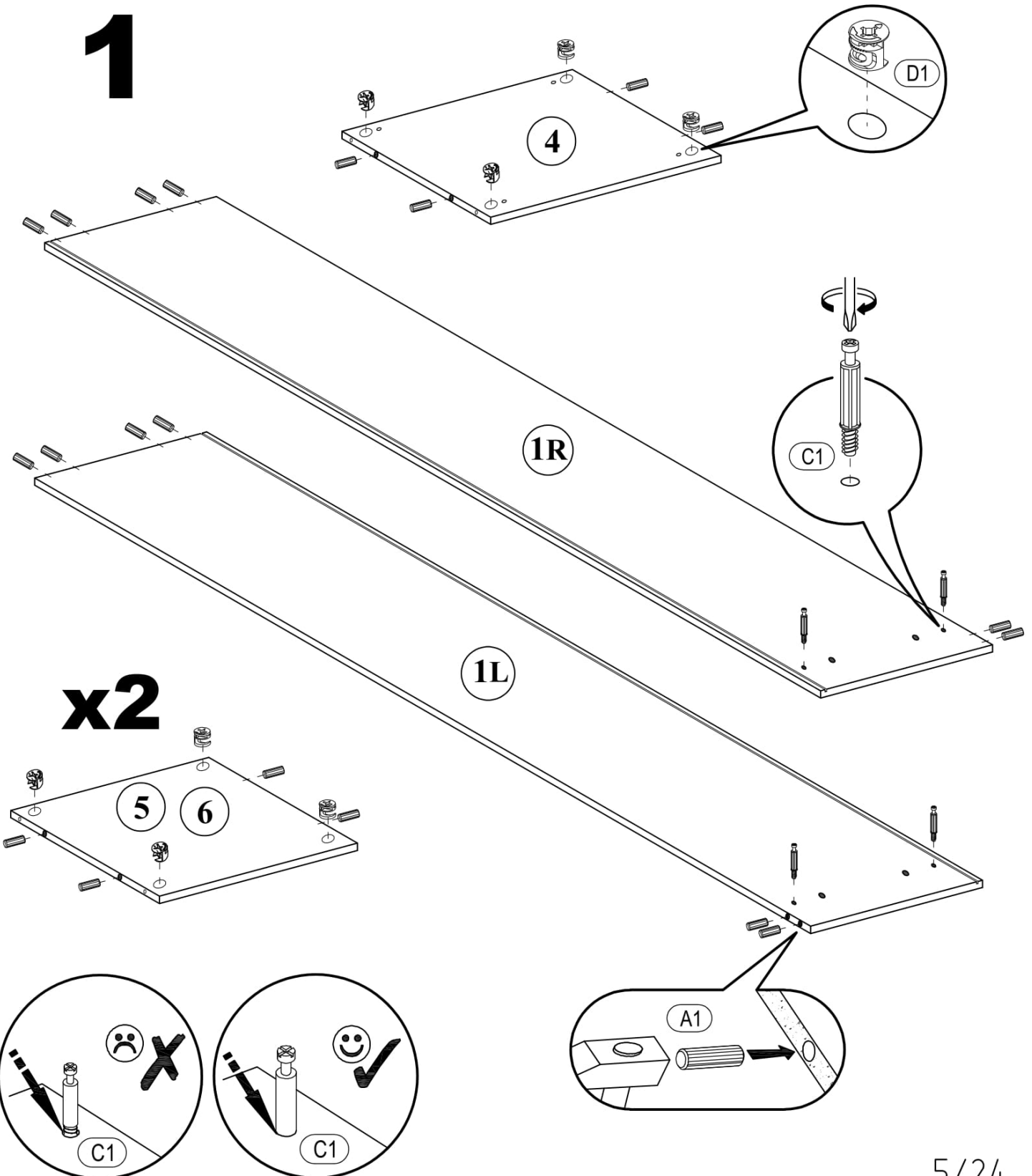
**VALERIO**  
**VITRINE 1D 2Dr**



**VALERIO**  
**VITRINE 1D 2Dr**


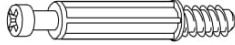




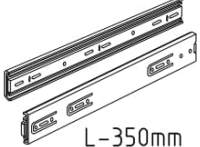
 <b>A1</b> 8*30mm x24	 <b>C1</b> 5*30mm x4	 <b>D1</b> 16mm x12
-----------------------------------------------------------------------------------------------------------	----------------------------------------------------------------------------------------------------------	-----------------------------------------------------------------------------------------------------------

**1**

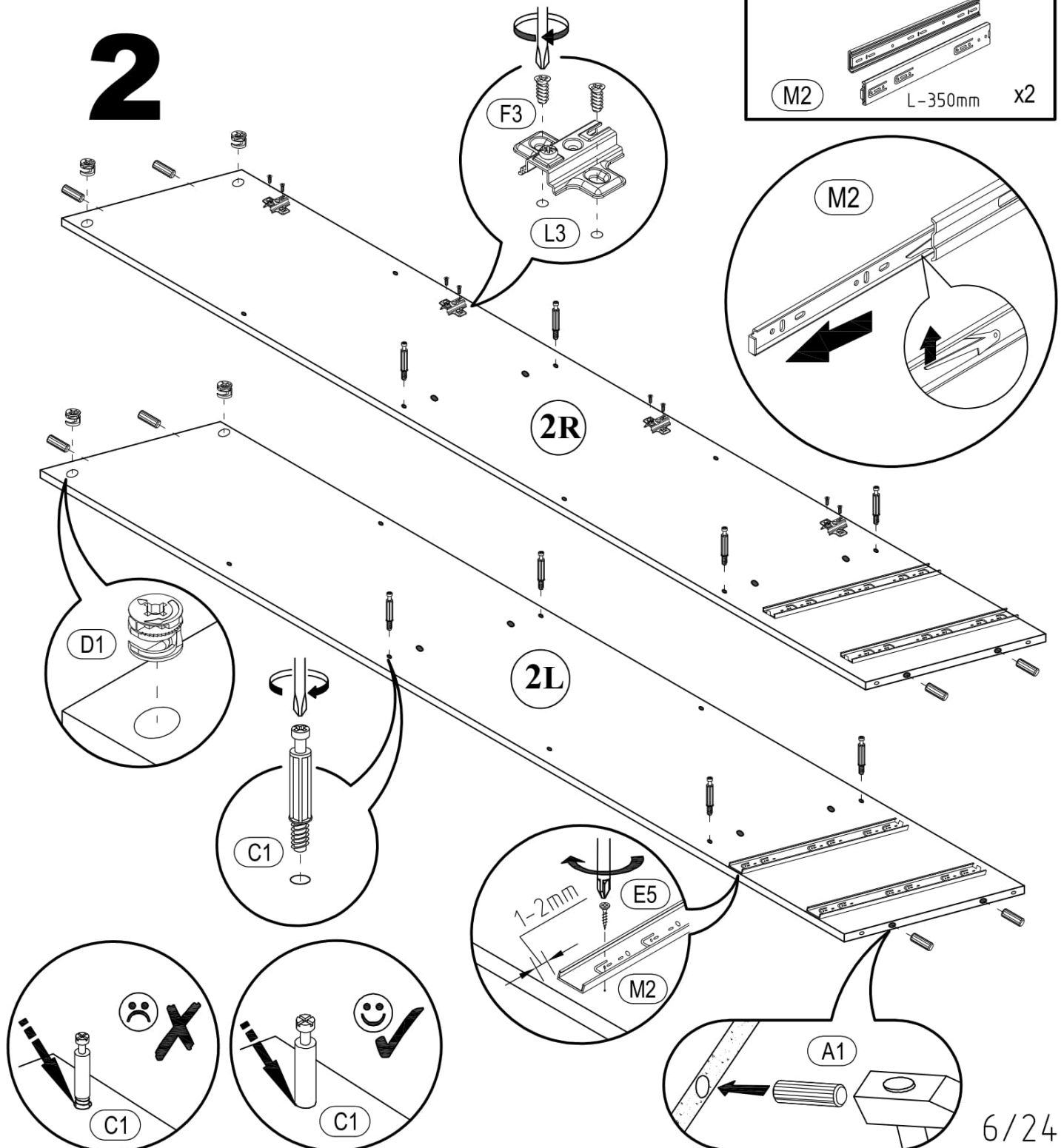


# VALERIO



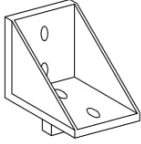
## VITRINE 1D 2Dr

 A1 8*30mm x8	 C1 5*30mm x8	 D1 16mm x4
 E5 3,5*16 x8	 F3 6,3*13mm x8	 L3 x4
		 M2 L-350mm x2

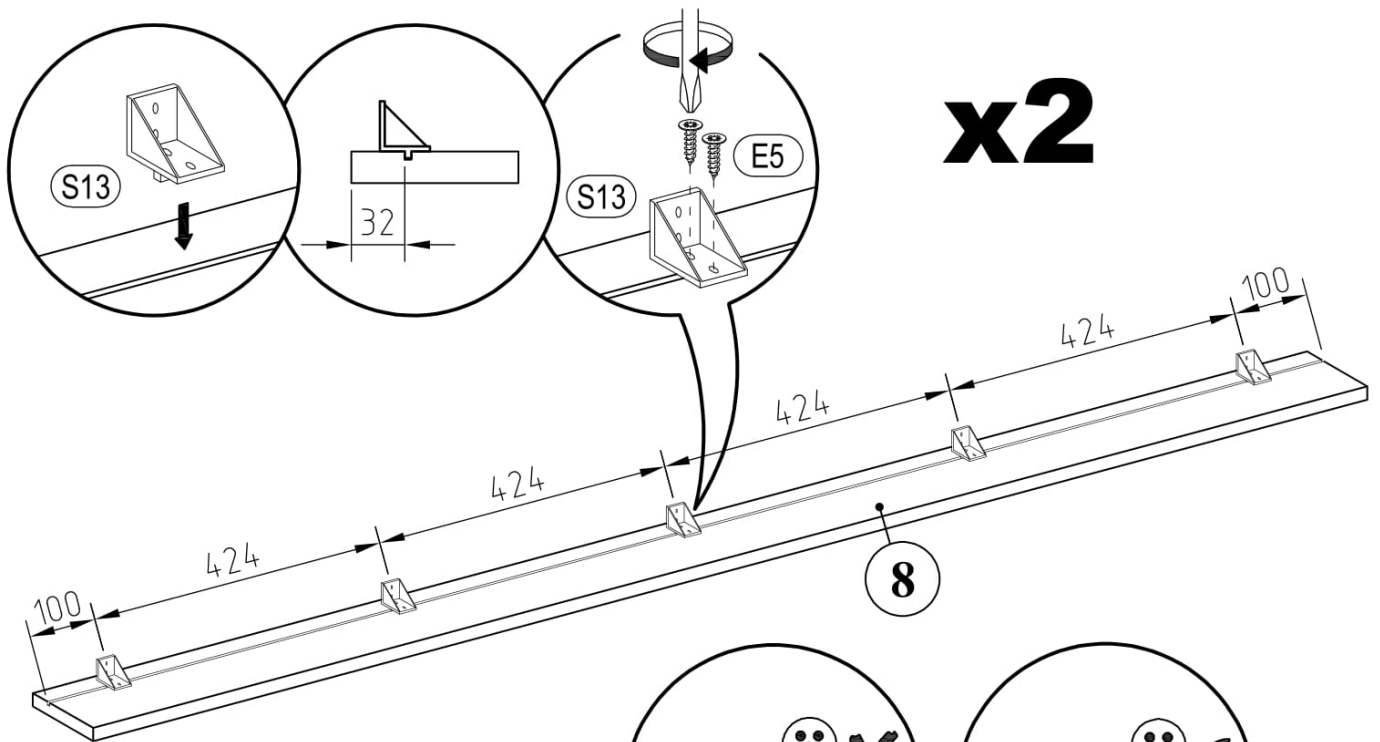
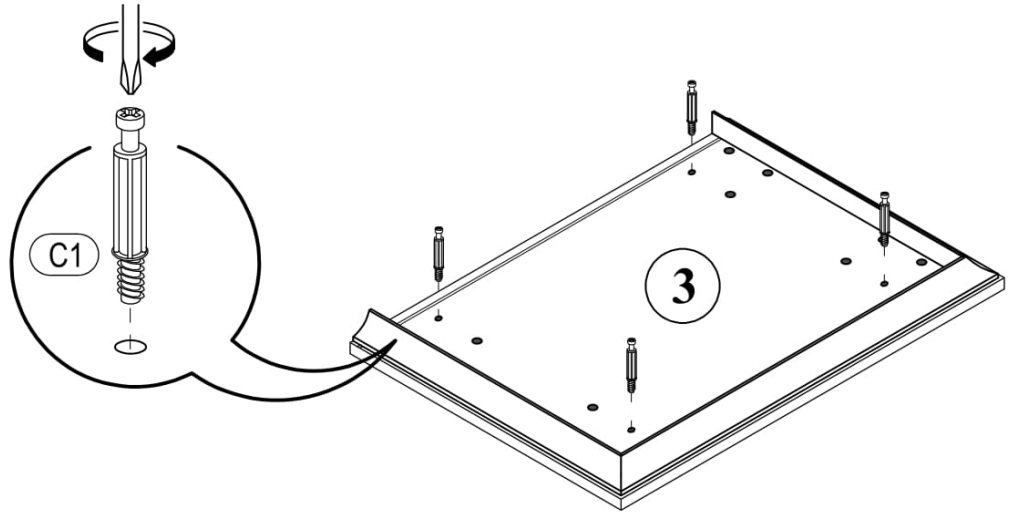
# 2



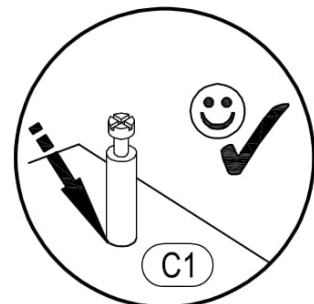
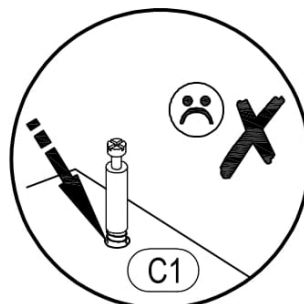
**VALERIO**  
**VITRINE 1D 2Dr**

 <b>(C1)</b> 5*30mm x4	 <b>(E5)</b> 3,5*16 x20	 <b>(S13)</b> x10
------------------------------------------------------------------------------------------------------------	-------------------------------------------------------------------------------------------------------------	---------------------------------------------------------------------------------------------------------

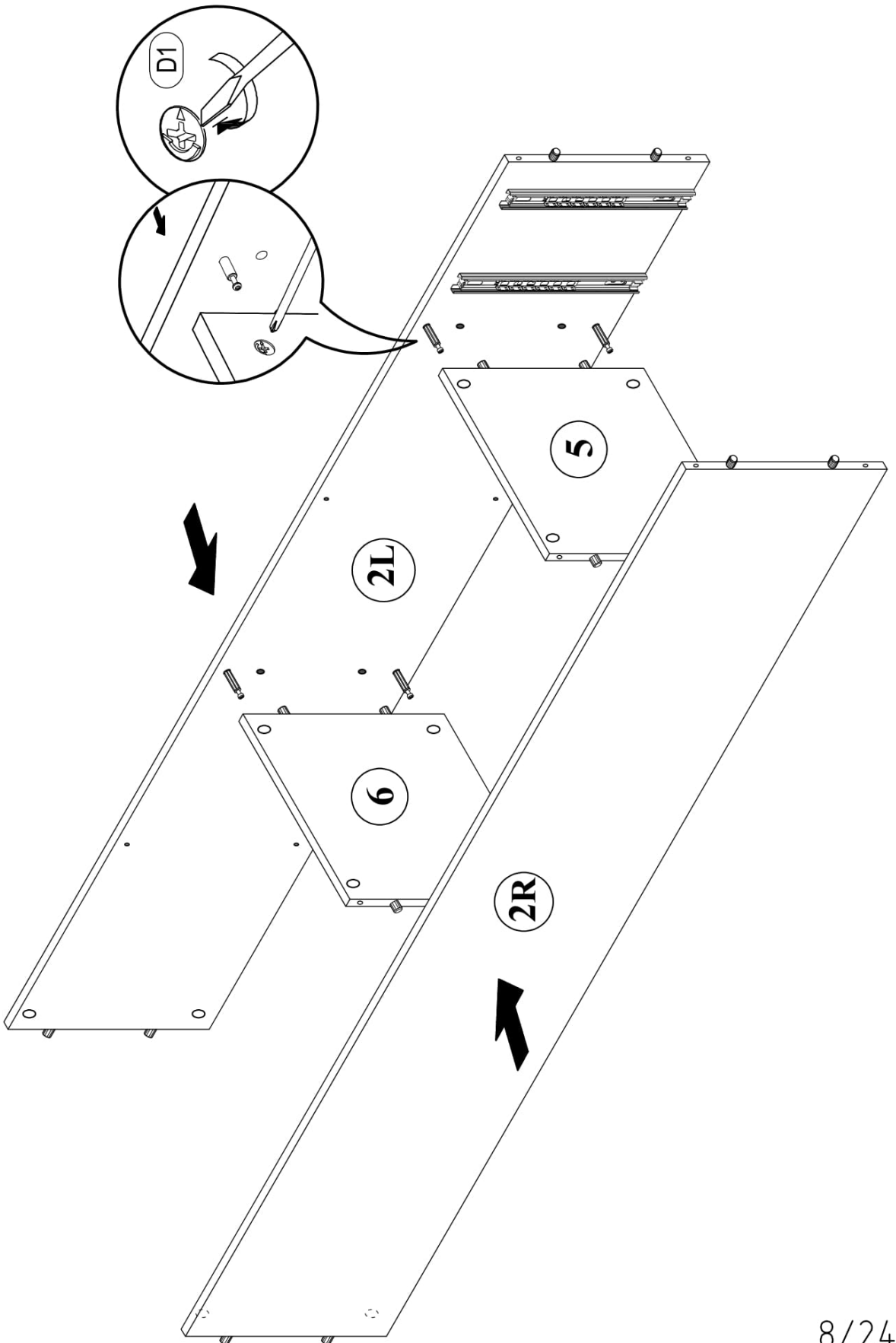
**3**



**x2**



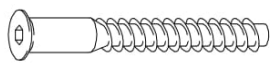
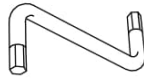
**4**

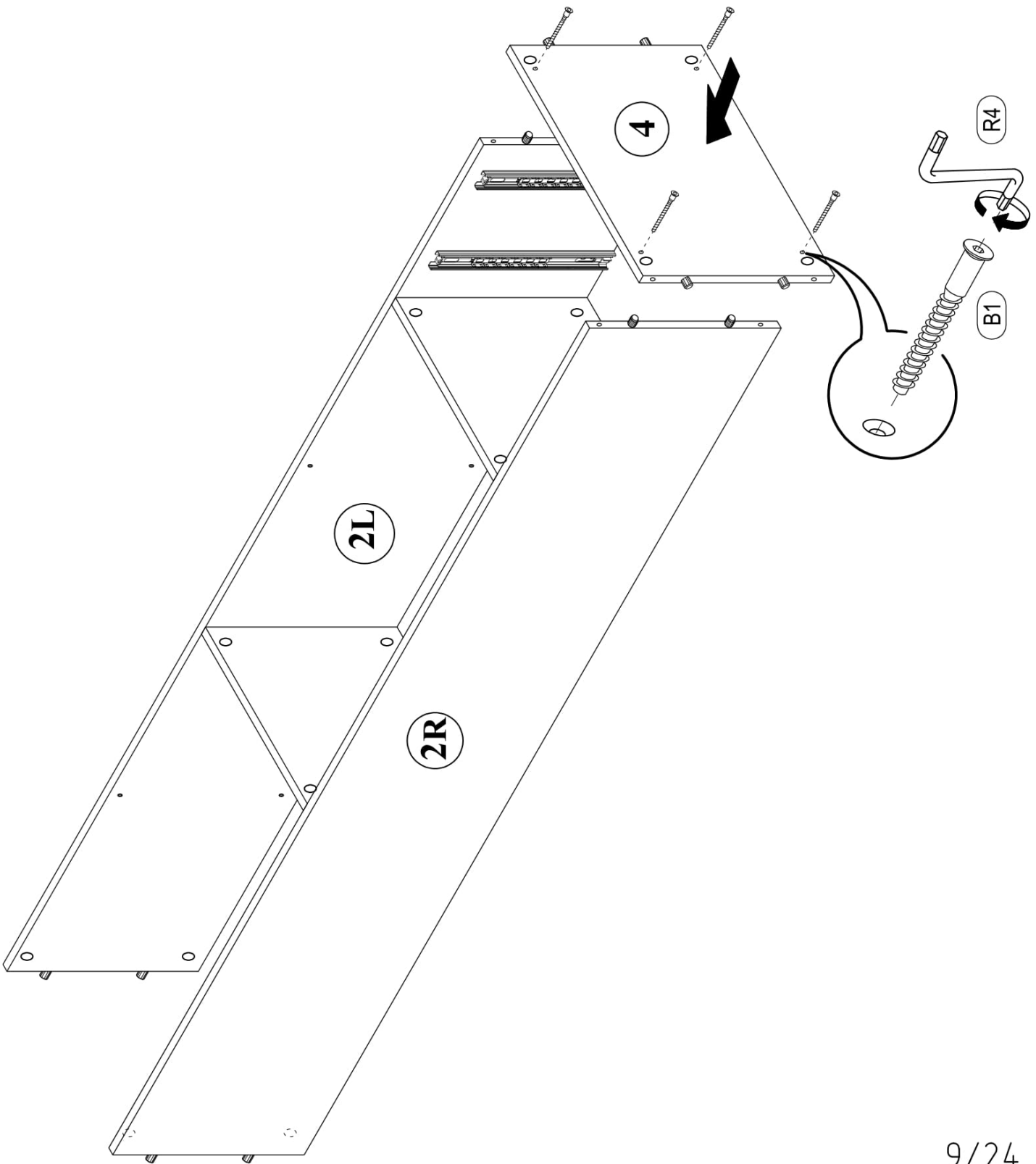




**VALERIO**  
**VITRINE 1D 2Dr**

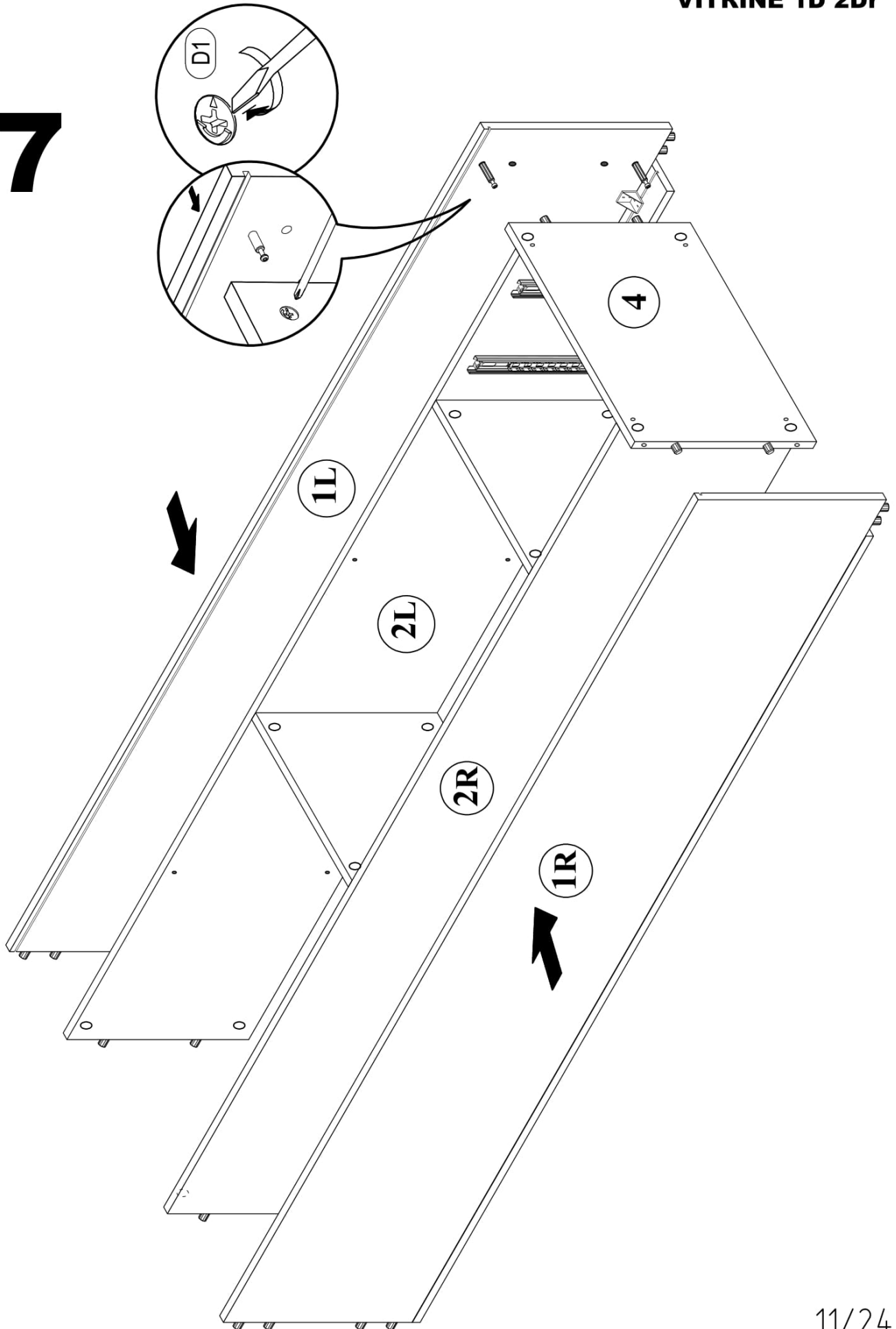
**5**

 <b>B1</b> 6,3*50mm x4	 <b>R4</b> N°4 x1
------------------------------------------------------------------------------------------------------------	---------------------------------------------------------------------------------------------------------

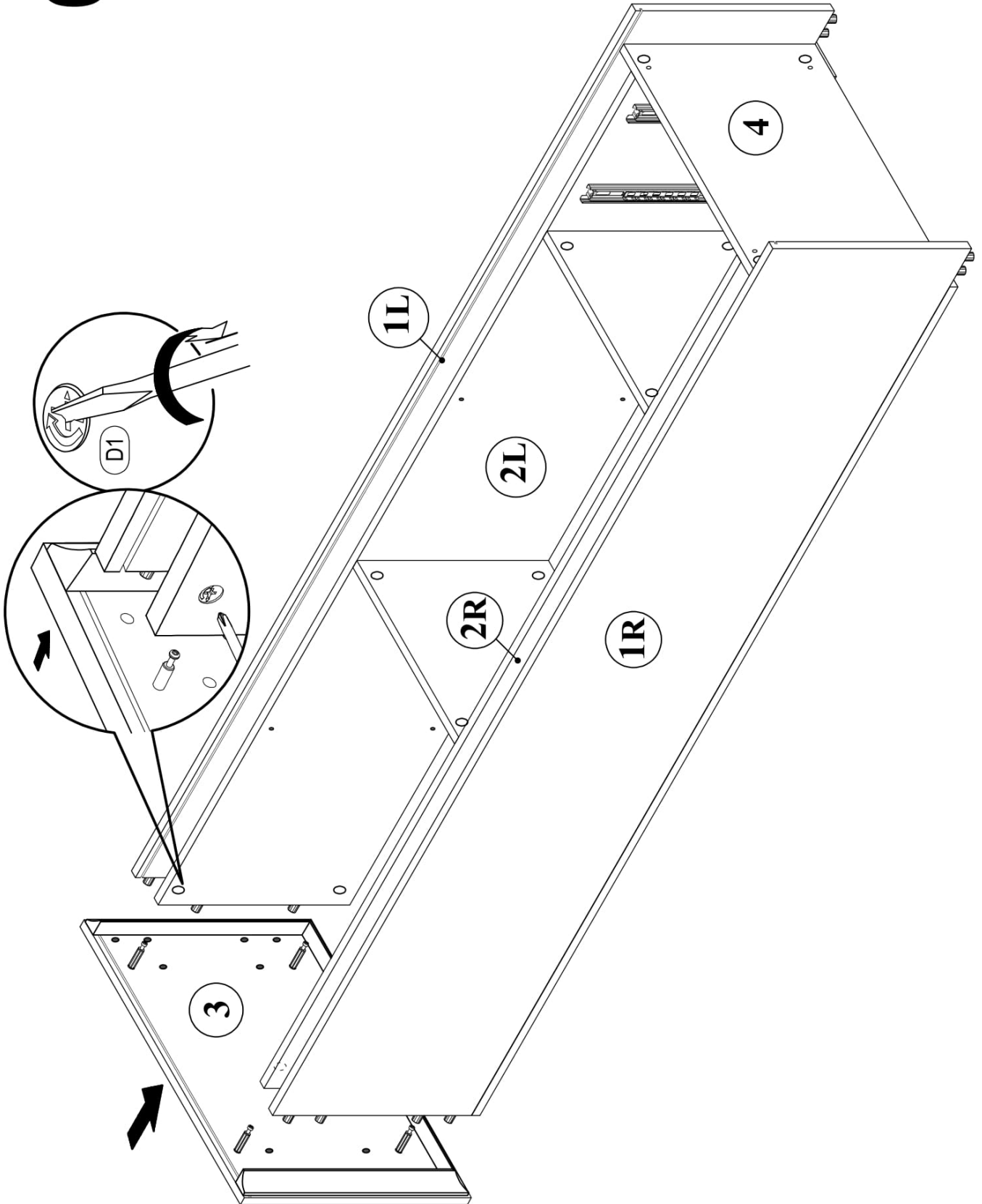




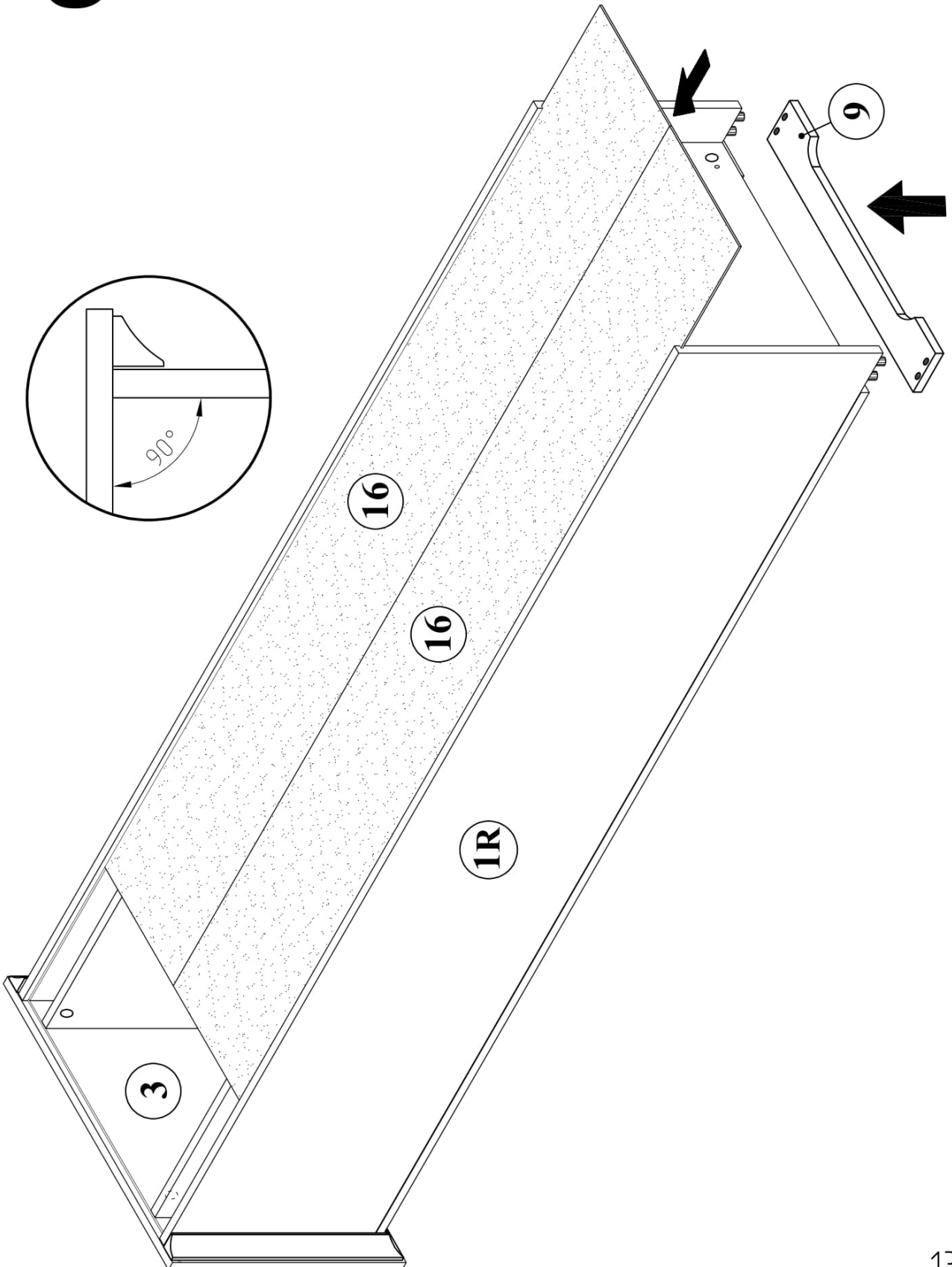
**7**



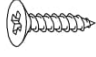

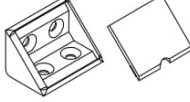
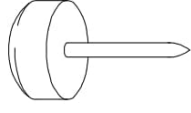
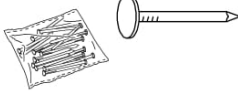
**8**

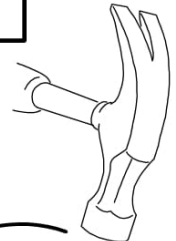


**9**

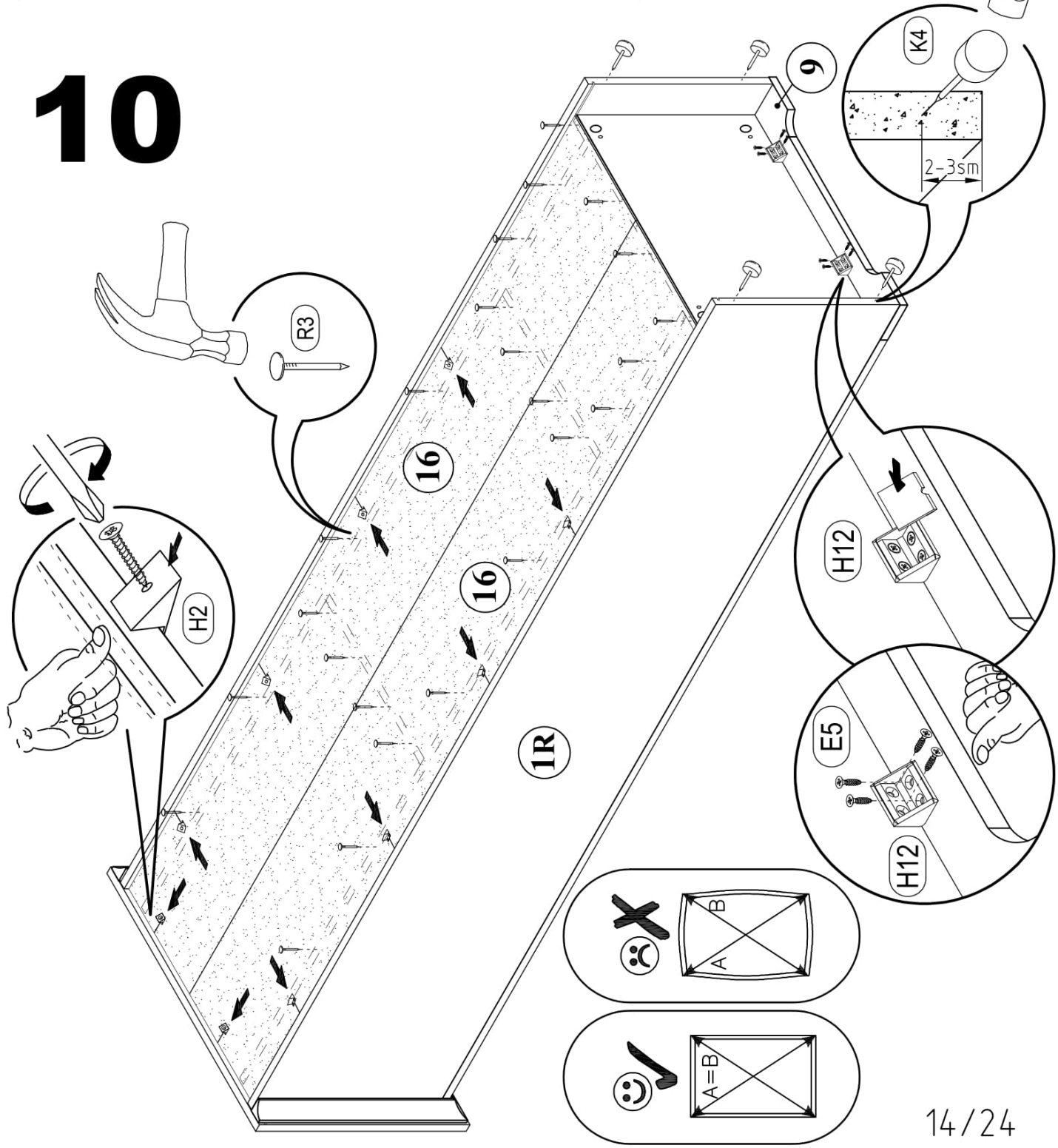


**VALERIO**  
**VITRINE 1D 2Dr**

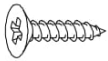

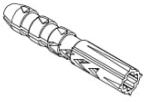
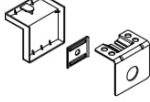
<p><b>E5</b>  3,5*16 x8</p>	<p><b>H2</b>  x10</p>	<p><b>H12</b>  20x20x33 x2</p>
<p><b>K4</b>  x4</p>	<p><b>R3</b>  1.4*25mm 0.010kg</p>	



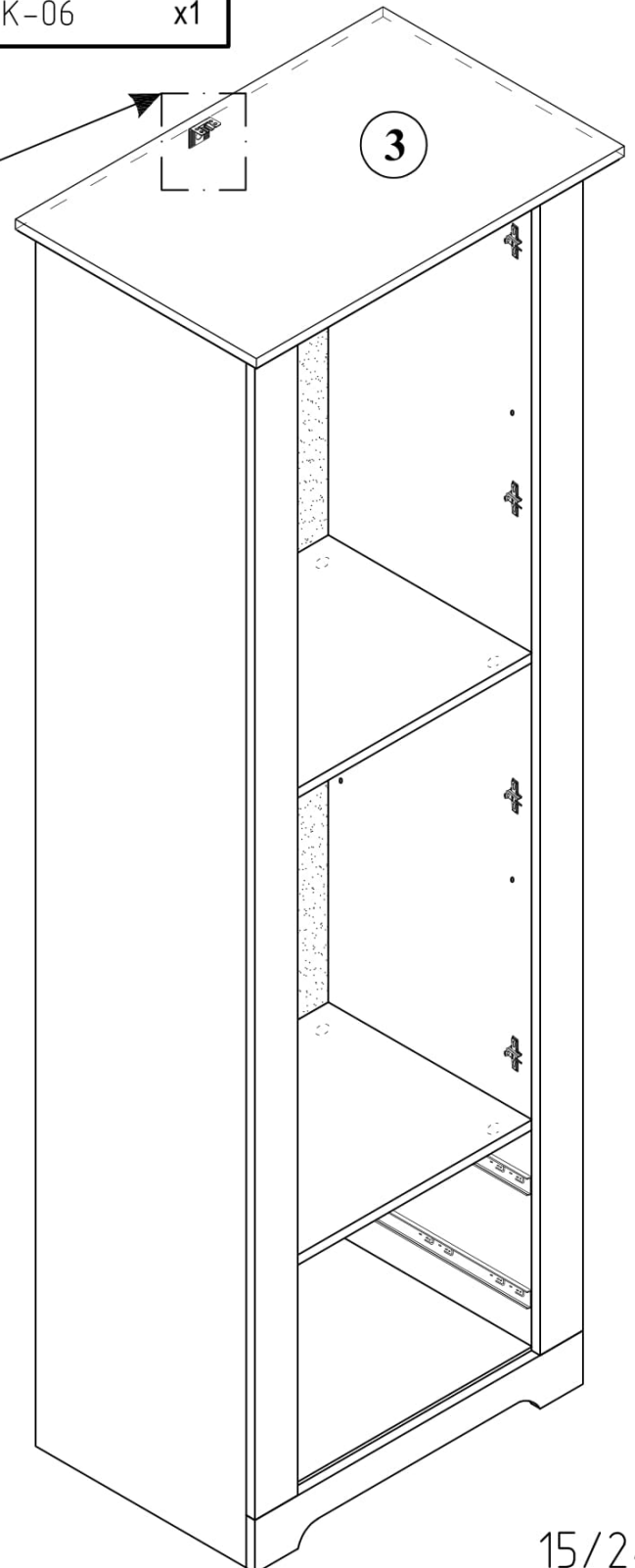
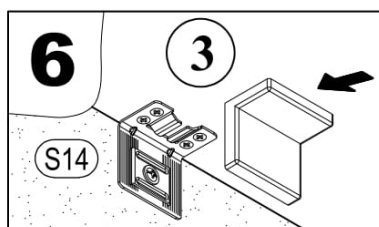
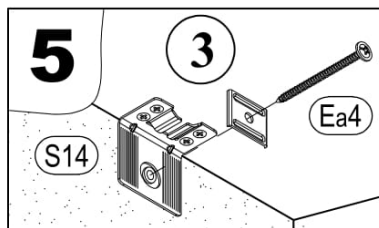
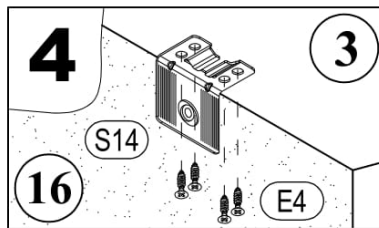
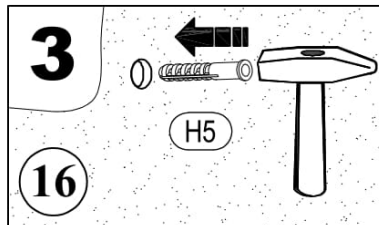
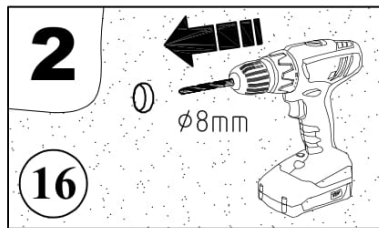
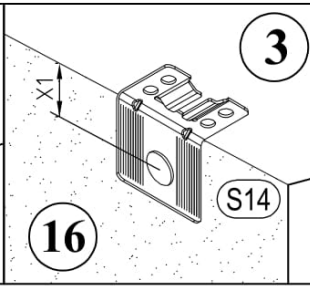
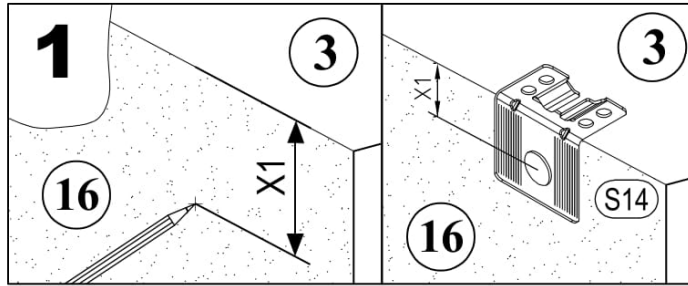
**10**



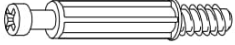



**VALERIO**  
**VITRINE 1D 2Dr**

 <b>E4</b> 3,5*16mm x4	 <b>Ea4</b> 4,2*65mm x1	 <b>H5</b> 8*50mm x1
 <b>S14</b> K-06 x1		

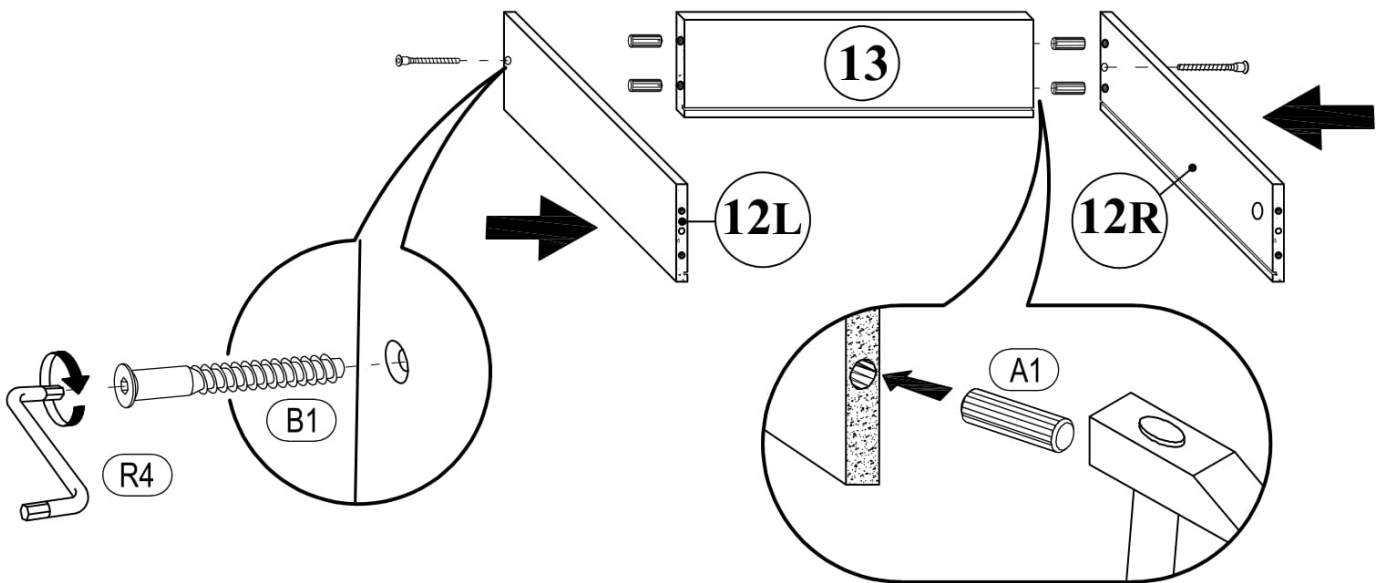
# 11



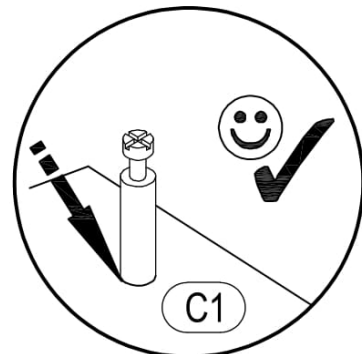
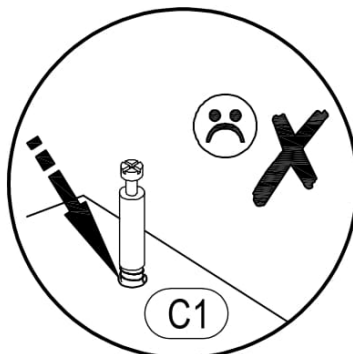
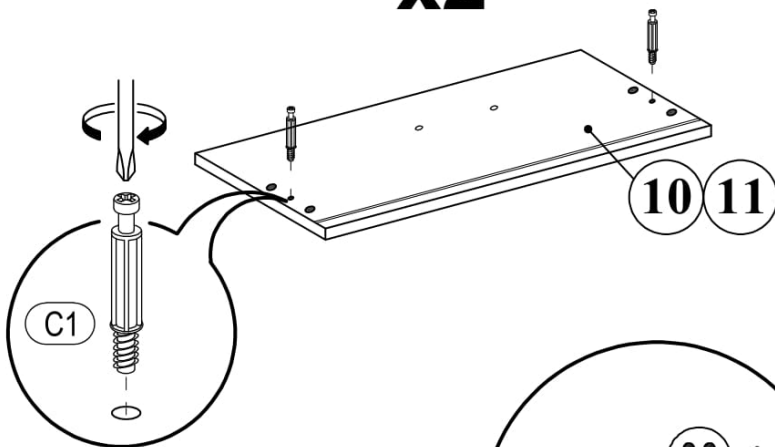
 <b>(A1)</b> 8*30mm x8	 <b>(B1)</b> 6,3*50mm x4	 <b>(C1)</b> 5*30mm x4
		 <b>(R4)</b> N°4 x1

# 12




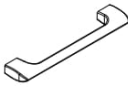
## 12.1 x2



## 12.2 x2

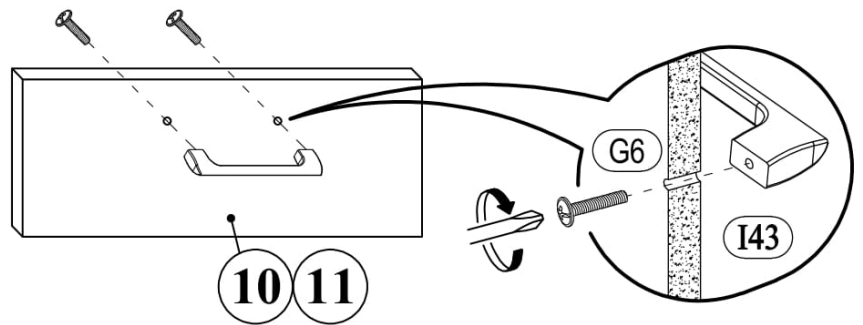




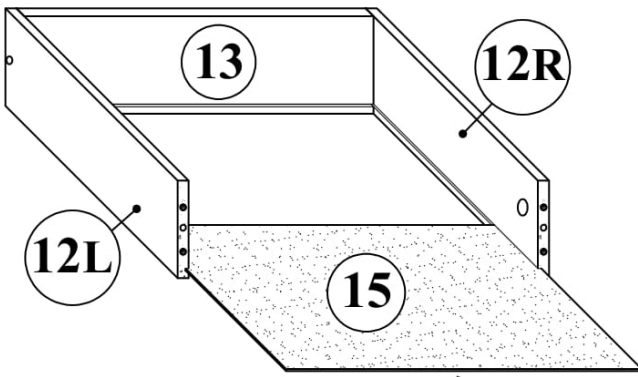
 <b>(A1)</b> 8*30mm x8	 <b>(D1)</b> 16mm x4	 <b>(G6)</b> M 4*22 x4
		 <b>(I43)</b> P-38 (128) x2

# 12

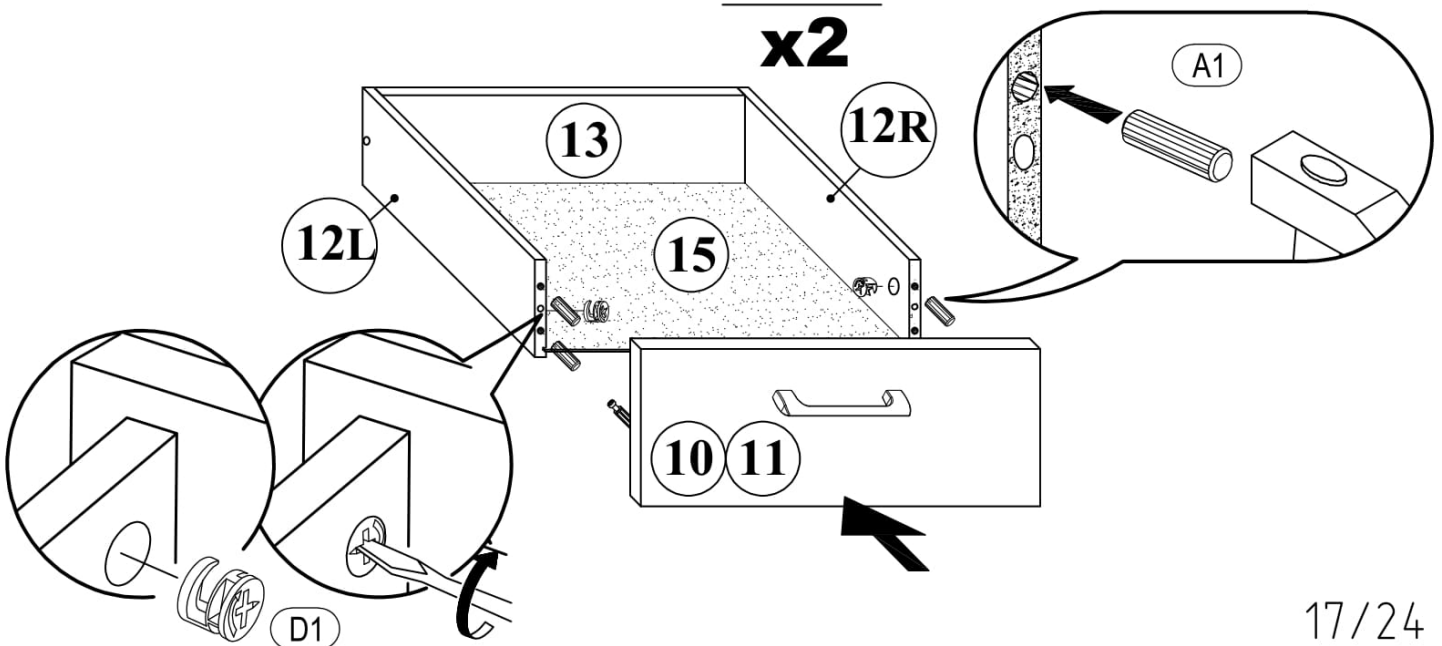
## 12.3 x2






## 12.4 x2



## 12.5 x2

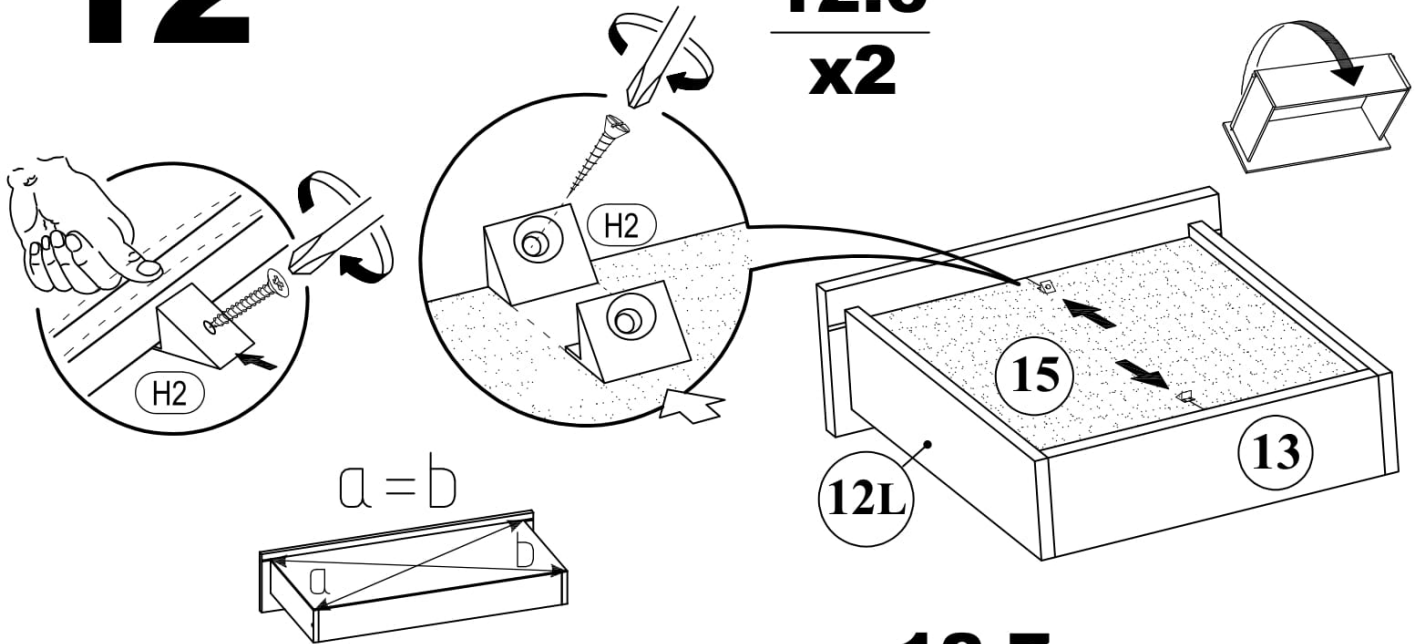


**VALERIO**  
**VITRINE 1D 2Dr**

 <b>(E5)</b> 3,5*16mm x8	 <b>(H2)</b> x4	 <b>(M2)</b> L-350mm x2
--------------------------------------------------------------------------------------------------------------	-----------------------------------------------------------------------------------------------------	---------------------------------------------------------------------------------------------------------------

**12**

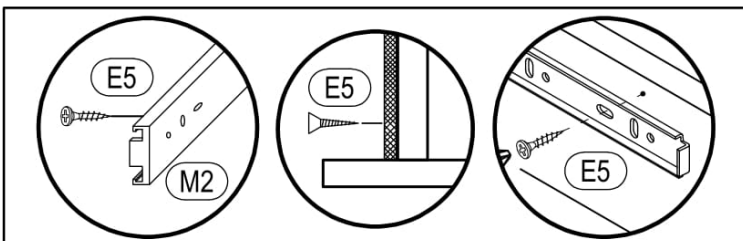
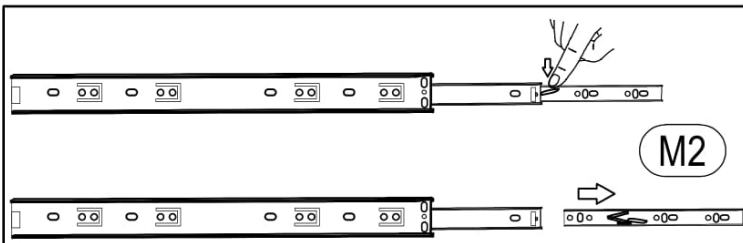
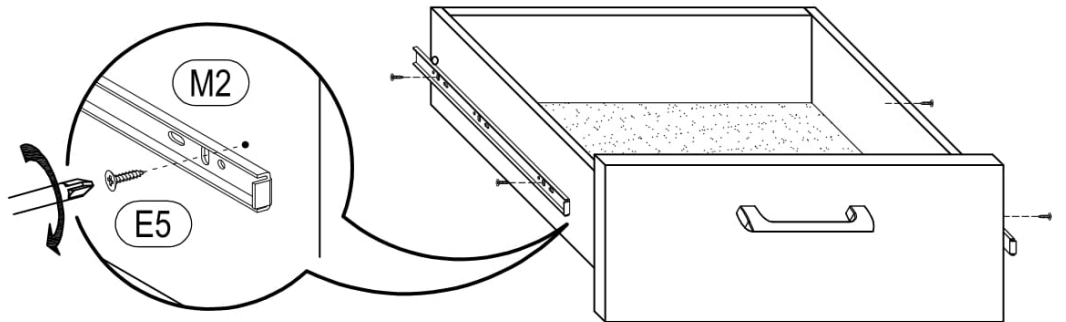
**12.6**  
**x2**




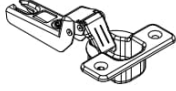
$a = b$

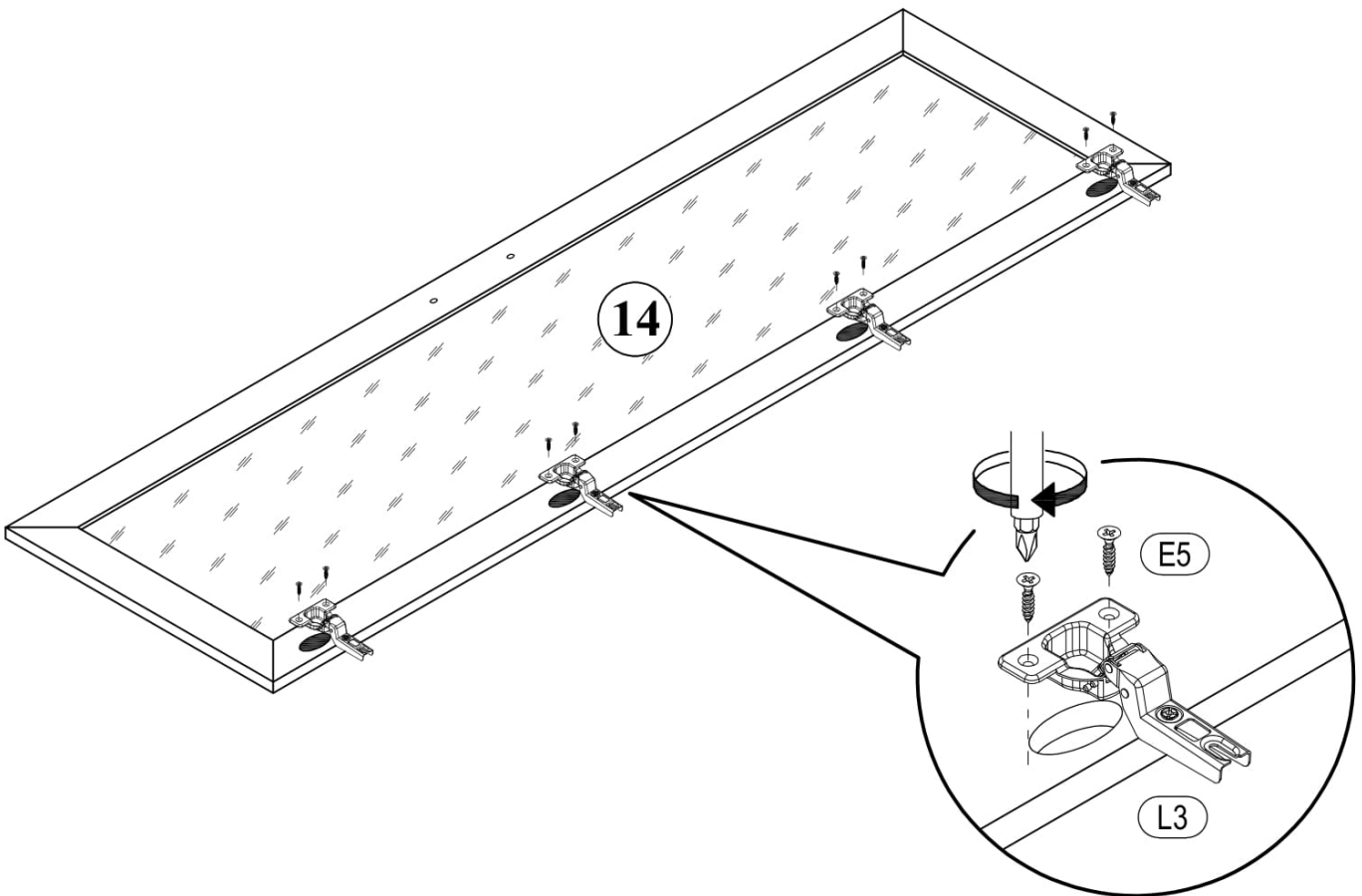


**12.7**  
**x2**




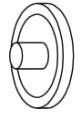

**13**

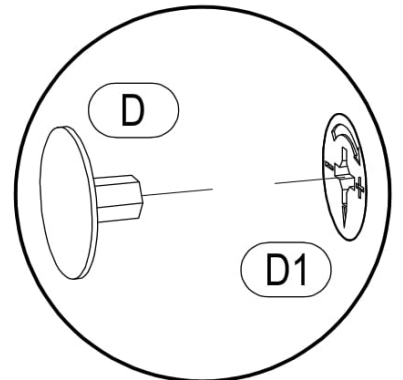
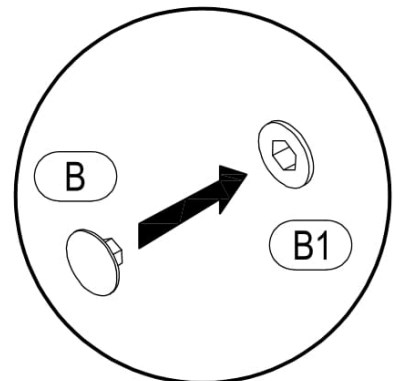
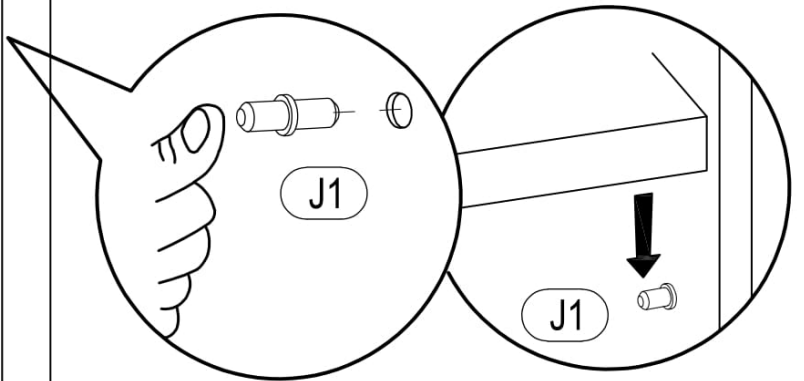
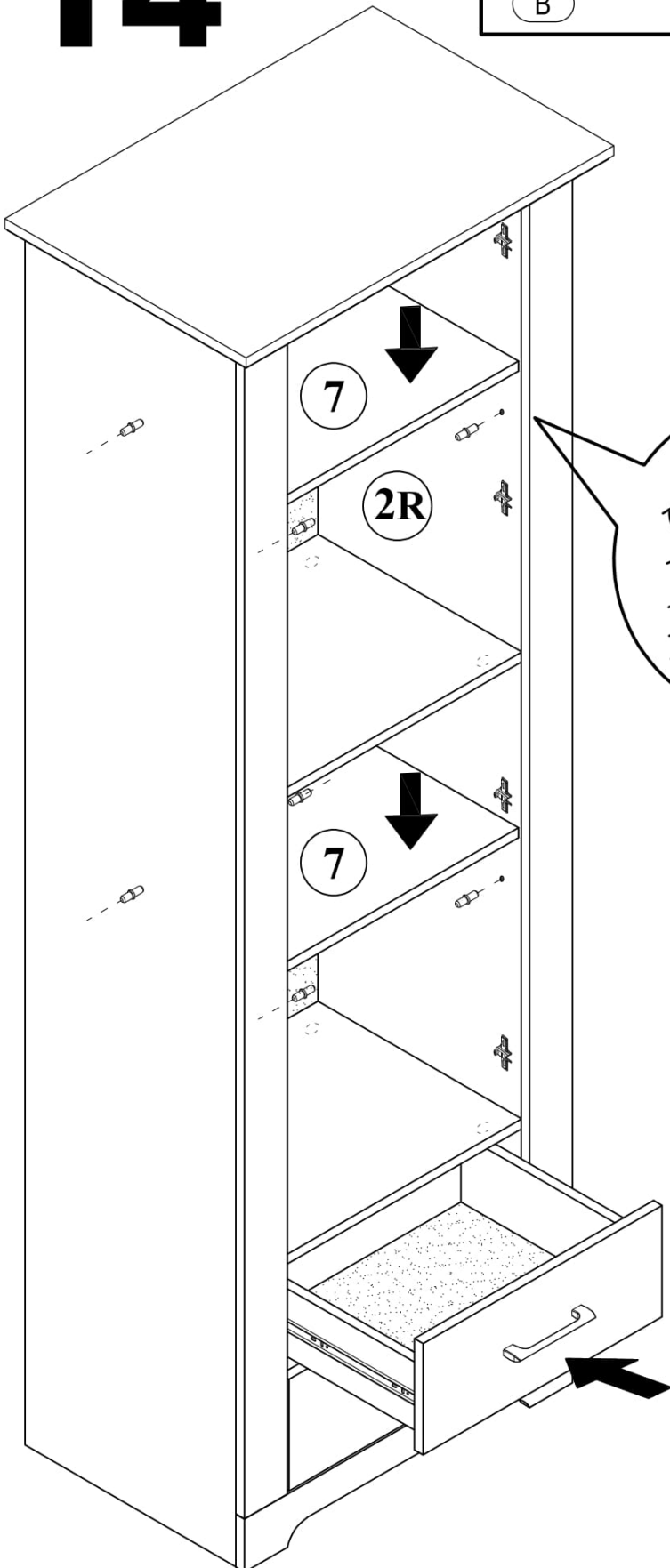
 <p>(E5) 3,5*16 x8</p>	 <p>(L3) x4</p>
---------------------------------------------------------------------------------------------------------	----------------------------------------------------------------------------------------------------



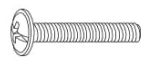
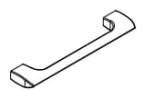

**VALERIO**  
**VITRINE 1D 2Dr**

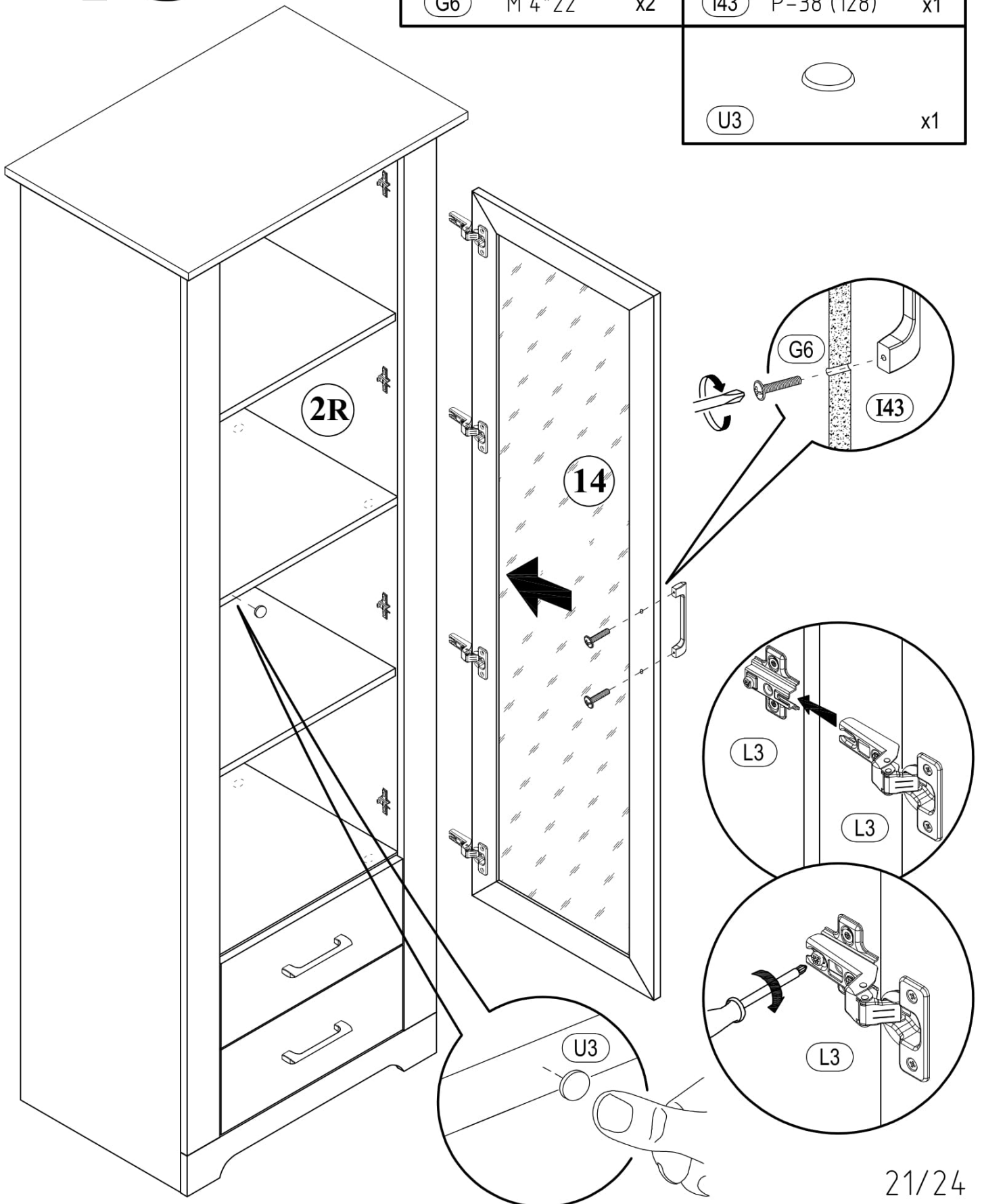
14

 B	x8	 D	x20
 J1		5*16mm	x8

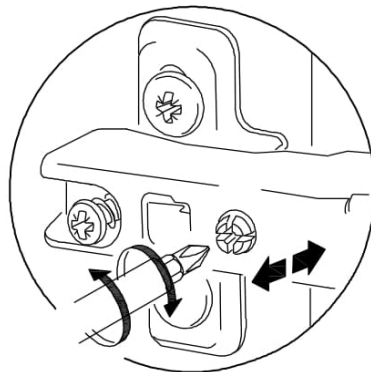
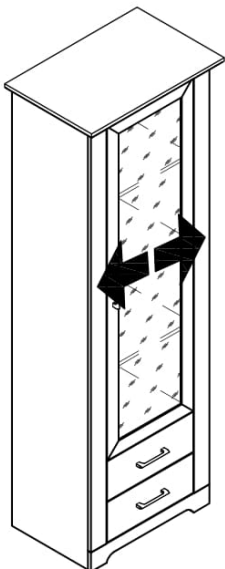
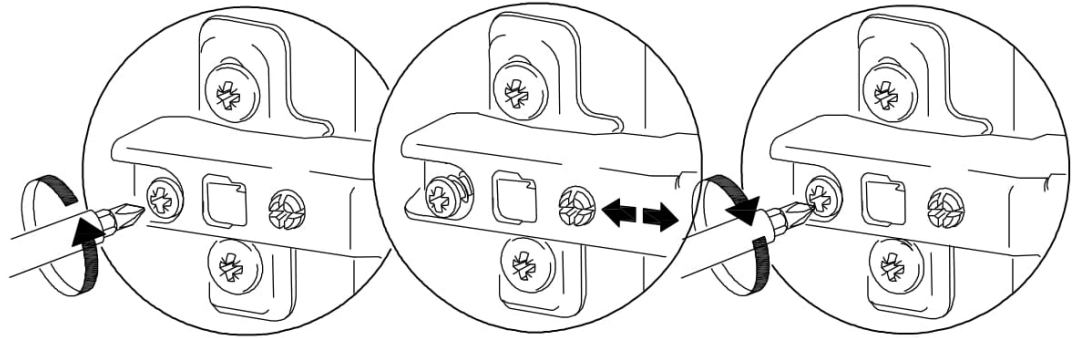
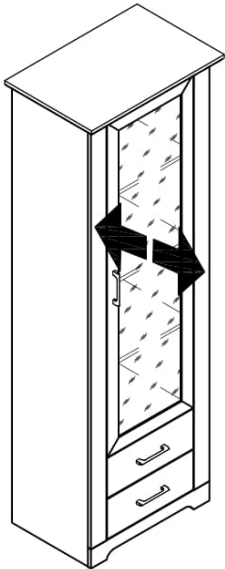
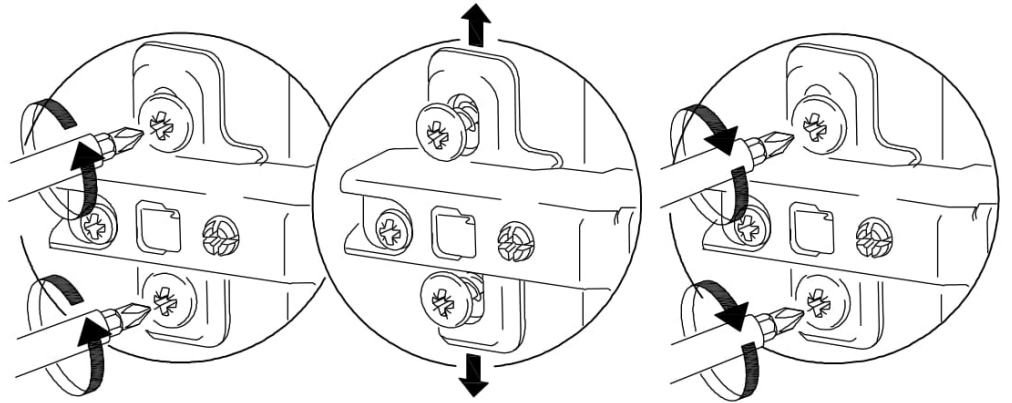
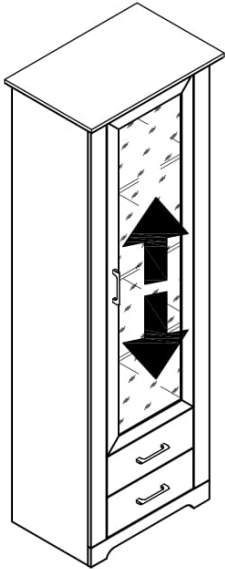


**15**

 <b>G6</b> M 4*22 x2	 <b>I43</b> P-38 (128) x1
 <b>U3</b> x1	



# 16



**VALERIO**  
**VITRINE 1D 2Dr**

